



YueQing Yulin Electronic Co., Ltd

Adds:F/6 No.19 Ke'aisi Road, Xiangyang industrial Zone,Liushi Town,YueQing City, Zhejiang Province, China 325600

Website: www.indicatorlight.com Tel: 0577-62768130 Fax: 0577-62768130

SPECIFICATION FOR APPROVAL

规格说明书

CUSTOMER'S CODE

本厂代码: FL-PZ-W2016-1-5

DESCRIPTION

品名: 金属信号灯metal indicator light

SPECIFICATION

规格: 8mm

DATE

编制日期: 2016-01-06

PART NO.

本厂型号: FL1M-8FW-D-1

REFERENCE No.

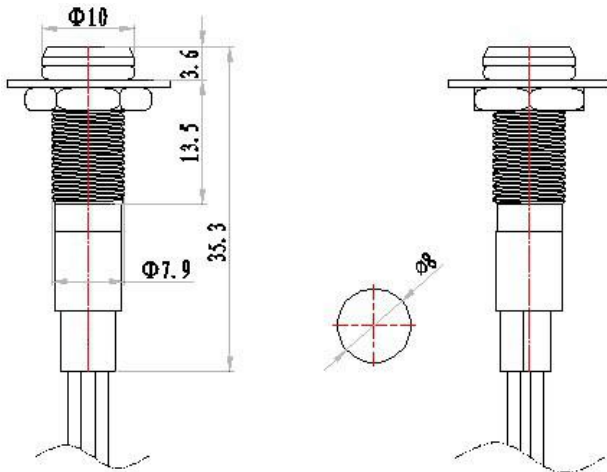
档案编号: FL-PZ-W2016-1-5-019

Approved By Customer 编制	Qualified By 审核	Form Designer 批准

1. 图片 Picture:



2. 图纸 drawing:





YueQing Yulin Electronic Co., Ltd

Adds:F/6 No.19 Ke'aisi Road, Xiangyang industrial Zone,Liushi Town,YueQing City, Zhejiang Province, China 325600

Website: www.indicatorlight.com Tel: 0577-62768130 Fax: 0577-62768130

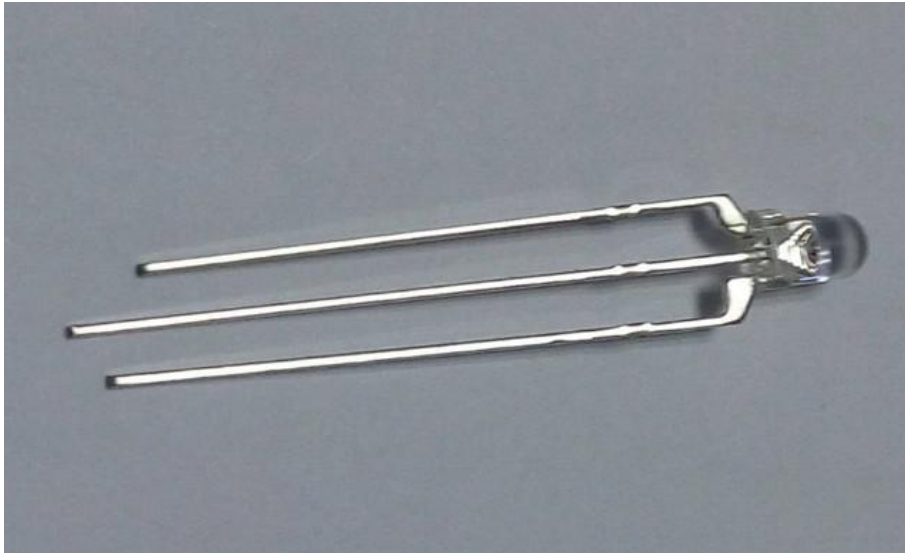
3配件材料 component material

4性能参数 performance parameter

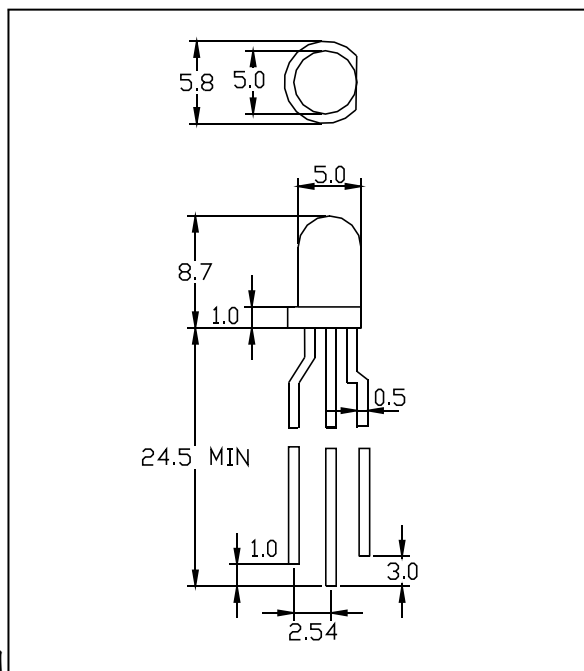
配件名Component name	材料material
灯罩 lens	PC 塑料 PC plastic
金属壳 Metal body	H59 黄铜 or 204 不锈钢 H59 brass or 204 stainless steel
加固垫片 wahser	T10 冷轧钢 T10 Cold Rolled Steel
防水圈 rubber ring	SIL 硅胶 SIL silica gel
螺帽 nut	H59黄铜 H59 nickel plated brass
灯座 housing	PA66阻燃尼龙 PA66 nylon
光源 Light source	LED LED灯
电阻 Resistor	金属膜电阻 Metal film
导线 Cable	Pvc AWG24 0.2mm ²
插件 plug-in	

项目items	参数parameter
额定电压 Rated voltage	3V-780V DC or AC
额定电流 rated current	20mA
额定功率 rated power	0.2W
绝缘耐压 Insulation and voltage resistance	1800V
工作寿命 working life	50000h
电气寿命 electrical life	50000次
耐寒 cold-resistant	-40℃
耐热 heat-resisting	80℃

4. Detailed Picture :



5.LED Specification:



■ Emitter 外型图



YueQing Yulin Electronic Co., Ltd

Adds:F/6 No.19 Ke'aisi Road, Xiangyang industrial Zone,Liushi Town,YueQing City, Zhejiang Province, China 325600

Website: www.indicatorlight.com Tel: 0577-62768130 Fax: 0577-62768130

■ Absolute Maximum Rating 极限工作参数

Parameter	参数名称		Unit (单位)	Parameter 参数名称
Reverse Voltage	反向电压	5	V	Reverse Voltage 反向电压
Power Dissipation	功耗	100	mW	Power Dissipation 功耗
Operating Temperature Ranger 正常使用温度		-40 ~ +65	°C	Operating Temperature Ranger 正常使用温度
Storage Temperature Ranger 存储温度		-40 ~ + 80	°C	Storage Temperature Ranger 存储温度
Lead Soldering Temperature [3mmFrom Body] 焊接温度 (离胶体3mm处焊接)		260°C For 5 Seconds		Lead Soldering Temperature [3mmFrom Body] 焊接温度 (离胶体3mm处 焊接)
Peak IF(mA) (1/10Duty Cycle 0.1ms Pulse Width) 瞬间脉冲电流		60	mA	Peak IF(mA) (1/10Duty Cycle 0.1ms Pulse Width) 瞬间脉冲电流

*Ifp Conditions: Pulse Wide \leq 10msec \leq 1/10 瞬间脉冲电流

*Tsol Conditions:3mm from the base of epoxy bulb 最高焊接温度 距胶体3mm

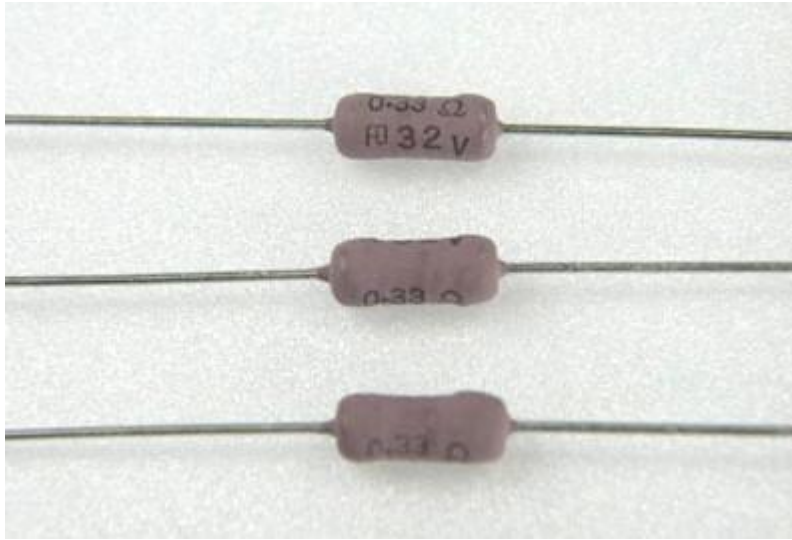
Typical Optical/Electrical Characteristics 光电特性参数

Parameter 参数名称	Symbol 符号		Min 最小值	Type 典型值	Max 最大值	Unit 单位	Test Condition 测试条件
Luminous Intensity 发光亮度	IV	红Red	90	100	120	mcd	IF=20mA
		绿Yellow	50	60	70		
Peak Wavelength 峰值波长	λ_p	红Red	---	622	---	nm	IF=20mA
		绿Yellow	---	566	---		
Dominant Wavelength 主波长	λ_d	红Red	625	627	630	nm	IF=20mA
		绿Yellow	569	571	573		
Spectrum Line Half-Width 频谱半宽	$\Delta \lambda$	红Red	---	30	---	nm	IF=20mA
		绿Yellow	---	30	---		
Forward Voltage 正向电压	VF	红Red	1.8	2.1	2.2	v	IF=20mA
		绿Yellow	1.8	2.1	2.3		
Reverse Current 反向漏电流	IR	红Red			10	uA	UR=5V
		绿Yellow					
Lens Color 胶体颜色	白色扩散						

Notes:

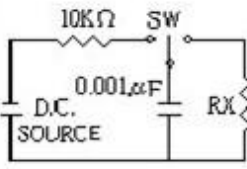
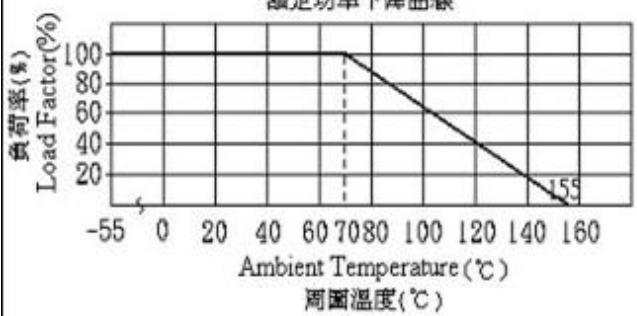
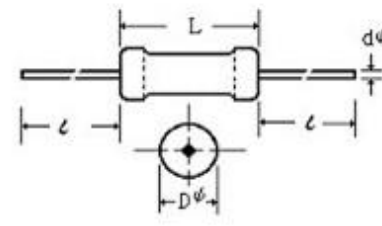
1. Work absolute ratings Ta=25°C humidity=60% 工作常规值 温度=25°C 湿度=60%
2. Tolerance of measurement of forward voltage±0.1V 正向电压误差范围±0.1V
3. Test Machine: SSP6612 series LED test system

6. Resistor Specification (RMS 1/4W 200kΩ):



CHARACTERISTICS 性能

ITEM 项目	SPEC 规格	REMARKS 备注	
Load life under high temperature 高温负荷寿命	±1.5%	JIS C 5201-1 (4.25.1)	Rated voltage at 70°C for 1,000 hours 额定电压70°C 1,000小时
Load life under high humidity 耐湿负荷寿命	±5%	JIS C 5201-1 (4.24)	Rated voltage at 40°C,95% RH for 1,000 hours 额定电压40°C,95% RH 1,000小时
Temp. coeff of resistance 温度系数	< 1K= ±500 PPM/°C ≤ 100KΩ=±300 ppm/°C >100KΩ=±200 ppm/°C	JIS C 5201-1	Room temp. + 100°C, 30min 室温 + 100°C, 30分钟
Short time overload 短时间过负荷	±1%	JIS C 5201-1 (4.13)	6.25 times the rated power for 5 seconds 6.25倍额定功率 5秒
Temperature cycling 温度循环	±1%	JIS C 5201-1 (4.19)	5 cycles for -25°C±3°C(30min); room temp.(30min) ~ +85°C±3°C(30min) room temp. (30min)
Resistance to soldering heat 焊锡耐热	±1%	JIS C 5201-1 (4.18)	260°C±5°C for 10 seconds(焊锡槽) 350°C±10°C for 3.5 seconds(手焊锡)
Insulation resistance 绝缘电阻	>1,000MΩ	JIS C 5201-1 (4.6.1.1)	500 volt Insulation test 1min 500 V绝缘测试电压1分钟

<p>Pulse withstanding voltage 脉冲</p>	<p>±20%</p>	<p>■The following discharge cycle is repeated in the circuit of the left fig. 2.5 sec. ON 2.5 sec. OFF 50 cycles. With following DC pulse test voltage ■ Pulse voltage:1/6W,S1/4W: 3KV. ≥1/4W: 100KΩ: (3KV); 100KΩ-620KΩ: (5KV); > 620KΩ: (10KV)</p> 
<p>DERATING CURVE 额定功率下降曲线</p> 	 <p>Various type of forming & taping are available 提供插装的造型与带装 Coating color: RMU1/4W,RMU1/6W、dark blue, other、pink。◦ 涂装颜色: RMU1/4W,RMU1/6W蓝色,其他粉红色。◦</p>	

■ CHARACTERISTICS 性能

Model 型名	Power Rating 额定功率 (W)	Resistance Range E-24 阻值范围 Ω	Maximum Working Voltage 最高使用 电压	Dielectric Withstandi ng Voltage 耐电压	Dimension 尺寸 (mm)			
					L	D φ	t	d φ
RMU1/4W 、 RMS1/2W	1/4,1/2	10Ω ~ <100M	1600V	700V	6±0.3	2.4±0.1	28±2	0.6±0.05