



## YueQing Yulin Electronic Co., Ltd

Adds:F/6 No.19 Ke'aisi Road, Xiangyang industrial Zone,Liushi Town,YueQing City, Zhejiang Province, China 325600

Website: www.indicatorlight.com

Tel: 0577-62768130

Fax: 0577-62768130

# 3PDT SWITCH SWITCH SPECIFICATION FOR APPROVAL

CUSTOMER'S CODE: \_\_\_\_\_

DESCRIPTION: 3PDT SWITCH WITH LIGHT

SPECIFICATION: \_\_\_\_\_

DATE : 2019-10-14

PART NO. : \_\_\_\_\_

REFERENCE No. : \_\_\_\_\_

Approved By Customer	Qualified By	Form Designer

### 1. 3PDT SWITCH Physical map:



## YueQing Yulin Electronic Co., Ltd

Adds:F/6 No.19 Ke'aisi Road, Xiangyang industrial Zone,Liushi Town,YueQing City, Zhejiang Province, China 325600

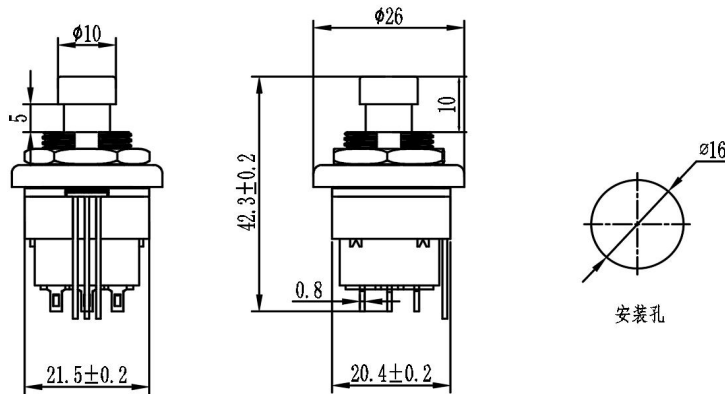
Website: [www.indicatorlight.com](http://www.indicatorlight.com)

Tel: 0577-62768130

Fax: 0577-62768130



### 2. Dimensions



### 3 Accessory material:

Accessory name	material
button	Aluminum alloy
Sleeve	Zinc alloy
Stud	Copper alloy
Swing rod	Zinc alloy
Iron shell	stainless steel
Midfoot footboard	Copper alloy
lampshade	PC
shell	PBT
Base	PBT
support	POM
circuit board	PCB
Lamp beads	led



## YueQing Yulin Electronic Co., Ltd

Adds:F/6 No.19 Ke'aisi Road, Xiangyang industrial Zone,Liushi Town,YueQing City, Zhejiang Province, China 325600

Website: www.indicatorlight.com

Tel: 0577-62768130

Fax: 0577-62768130

### 4 temperature range:

Ambient temperature:  $-25^{\circ}\text{C} \sim +85^{\circ}\text{C}$ .

### 5 Appearance and feel:

#### 5.1 The logo is clear and firm;

The appearance is clean and beautiful, no deformation, no damage, no cracking;

No rust, no electroplating;

The components are firmly connected, no looseness, no falling off;

#### 5.2 The switch operation is flexible, no jamming, no obvious friction.

### 6 Electrical performance:

project		Test Conditions	skills requirement
6.1	Switch rating	250V2A/125V5A	
6.2	Lamp rating	White light 3V20mA/red light 2V20mA/green light/3V20mA blue light 3V20mA/yellow light 2V20mA	
6.3	Insulation resistance	A DC500V was applied between the copper legs and between the copper legs and the outer casing, measured after one minute	$\geq 100\text{M}\Omega$
6.4	Withstand voltage	Apply AC2000V between the copper foot and the outer casing, 0.5mA, 10 seconds;	No breakdown or flashover.
6.5	Electrical durability	Under rated load, it is operated 30 times per minute for a total of 10,000 operations.	1. Appearance and feel are acceptable; 2. Contact resistance $\leq 2\Omega$ ; 3. The pressure test is qualified.

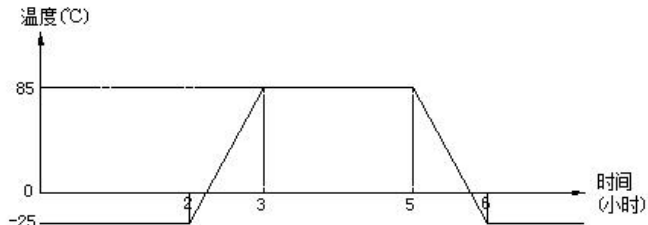
### 7 Mechanical behavior:

7.1	Operating force	The switch is placed perpendicular to the direction of operation, applying a force on one side of the button to measure the maximum force required to turn the switch on.	10-20N according to customer requirements.
-----	-----------------	---	--

7.2	Copper foot strength	A 60 N static load was applied to the top of the copper foot for an inward push for 60 seconds.	The terminal has no damage, falls off, and the switch function works normally.
-----	----------------------	---	--

project		Test Conditions	skills requirement
7.3	Solderability	The copper feet were immersed in a molten tin bath at a temperature of $235 \pm 5 \text{ }^\circ\text{C}$ for a time of $3 \pm 0.5$ seconds.	More than 90% of the surface of the immersed portion is covered with tin.
7.4	Resistance to soldering heat	<p>The welded portion of the copper foot was immersed in a molten tin furnace at a temperature of <math>260 \pm 5 \text{ }^\circ\text{C}</math> for <math>3 \pm 1</math> second.</p> <p>Manual soldering iron welding, welding temperature <math>350 \pm 5 \text{ }^\circ\text{C}</math>, welding time <math>3 \pm 1</math> second. Do not apply pressure to the copper feet during welding.</p>	<p>1. The body has no obvious deformation;</p> <p>2. Mechanical performance, electrical performance test qualified.</p>

## 8 Weather resistance:

8.1	High temperature resistance	It was allowed to stand in an environment of $85 \pm 2 \text{ }^\circ\text{C}$ for 72 hours, and then placed in a natural environment for 1 hour and then tested.	<p>1. Appearance and feel are acceptable;</p> <p>2. Contact resistance <math>\leq 2 \Omega</math>;</p> <p>3. The pressure test is qualified;</p> <p>Qualified mechanical performance.</p>
8.2	Heat and humidity resistance	It was placed at $40 \pm 2 \text{ }^\circ\text{C}$ , humidity 91% - 95% RH for 96 hours, and then placed in a natural environment for 1 hour and tested.	
8.3	Low temperature resistance	It was allowed to stand in an environment of $-25 \pm 2 \text{ }^\circ\text{C}$ for 12 hours, and then placed in a natural environment for 1 hour and then tested.	
8.4	Temperature alternation	<p>The temperature was alternated according to the temperature and time shown in the figure, and the test was carried out 5 times in a row and then placed in the natural environment for 1 hour.</p> 	

**FILN 飞林**

**YueQing Yulin Electronic Co., Ltd**

Adds:F/6 No.19 Ke'aisi Road, Xiangyang industrial Zone,Liushi Town,YueQing City, Zhejiang  
Province, China 325600

Website: [www.indicatorlight.com](http://www.indicatorlight.com)

Tel: 0577-62768130

Fax: 0577-62768130

---